

Model F-706-W Ductile Iron Swing Check Valve

AWWA C508 - Clear Waterway

Technical Features

Swing Check Valve Resilient Seat - 300 psi - Flanged End

Specifications: Conforms to AWWA C-508- Clear Waterway

Working Pressure: 300 PSI.

Connection: Resilient seated Flanged ends to ANSI B16.1 Class 125.

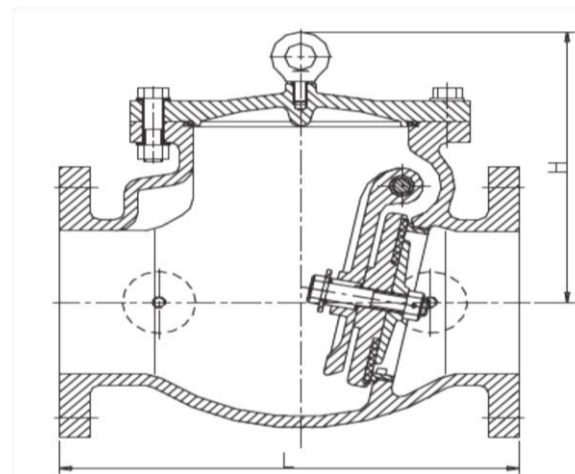
Suitable for horizontal or vertical installation.

Size range : 2" to 12"



MATERIAL LIST

| PART | SPECIFICATION |
|-------------------|--------------------------------|
| 1.Body | Ductile Iron ASTM A536 65-45-1 |
| 2.Cover | Ductile Iron ASTM A536 65-45-1 |
| 3.Cover Gasket | EPDM |
| 4.Clapper Arm | Ductile Iron ASTM A536 65-45-1 |
| 5.Disc Ring | EPDM |
| 6.Disc | Ductile Iron ASTM A536 65-45-1 |
| 7.Retainer Washer | Bronze ASTM B-62 C83600 |
| 8.Hinge Pin | Stainless Steel AISI 304 |
| 9.Plug Washer | PTFE |
| 10.Seat Ring | Bronze ASTM B-62 C83600 |



DIMENSIONS---WEIGHTS---QUANTITIES

| Size | Dimensions | | | | Weight | | |
|-------|------------|-------|-----|-------|--------|------|------|
| | In | mm | In | mm | Lbs | Kg | |
| 2 | 50 | 8.00 | 203 | 4.80 | 122 | 25 | 11.5 |
| 2.1/2 | 65 | 10 | 254 | 5.23 | 133 | 28.6 | 13 |
| 3 | 80 | 11.00 | 279 | 5.37 | 136.5 | 37 | 17 |
| 4 | 100 | 13.00 | 330 | 6.40 | 162.5 | 55 | 25 |
| 5 | 125 | 14.00 | 356 | 11.65 | 296 | 88 | 40 |
| 6 | 150 | 16.00 | 406 | 11.75 | 298.5 | 110 | 50 |
| 8 | 200 | 19.50 | 495 | 14.06 | 357 | 128 | 58.3 |
| 10 | 250 | 22.00 | 559 | 16.14 | 410 | 480 | 218 |
| 12 | 300 | 26.00 | 660 | 18.31 | 465 | 620 | 282 |