

**Model F-706-W Ductile Iron Swing Check Valve**

**AWWA C508 - Clear Waterway**

**Technical Features**

Swing Check Valve Resilient Seat - 300 psi - Flanged End

**Specifications:** Conforms to AWWA C-508- Clear Waterway

**Working Pressure:** 300 PSI.

**Connection:** Resilient seated Flanged ends to ANSI B16.1 Class 125.

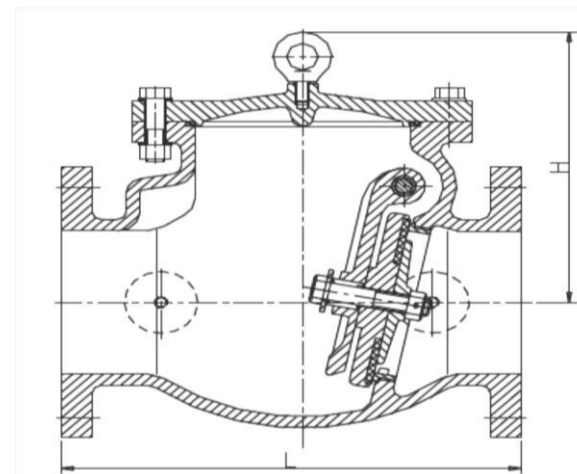
Suitable for horizontal or vertical installation.

**Size range :**2" to 12"



**MATERIAL LIST**

PART	SPECIFICATION
1.Body	Ductile Iron ASTM A536 65-45-1
2.Cover	Ductile Iron ASTM A536 65-45-1
3.Cover Gasket	EPDM
4.Clapper Arm	Ductile Iron ASTM A536 65-45-1
5.Disc Ring	EPDM
6.Disc	Ductile Iron ASTM A536 65-45-1
7.Retainer Washer	Bronze ASTM B-62 C83600
8.Hinge Pin	Stainless Steel AISI 304
9.Plug Washer	PTFE
10.Seat Ring	Bronze ASTM B-62 C83600



**DIMENSIONS---WEIGHTS---QUANTITIES**

Size	Dimensions				Weight		
	In	mm	In	mm	Lbs	Kg	
2	50	8.00	203	4.80	122	25	11.5
2.1/2	65	10	254	5.23	133	28.6	13
3	80	11.00	279	5.37	136.5	37	17
4	100	13.00	330	6.40	162.5	55	25
5	125	14.00	356	11.65	296	88	40
6	150	16.00	406	11.75	298.5	110	50
8	200	19.50	495	14.06	357	128	58.3
10	250	22.00	559	16.14	410	480	218
12	300	26.00	660	18.31	465	620	282